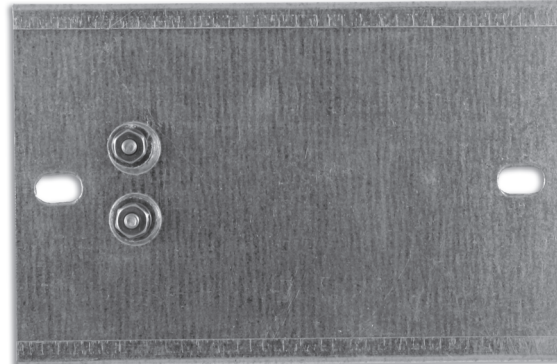




Strip Heaters

Mica Insulated



U.L. Recognized-E56973 C.S.A. Certified – 016386-0-000

Applications

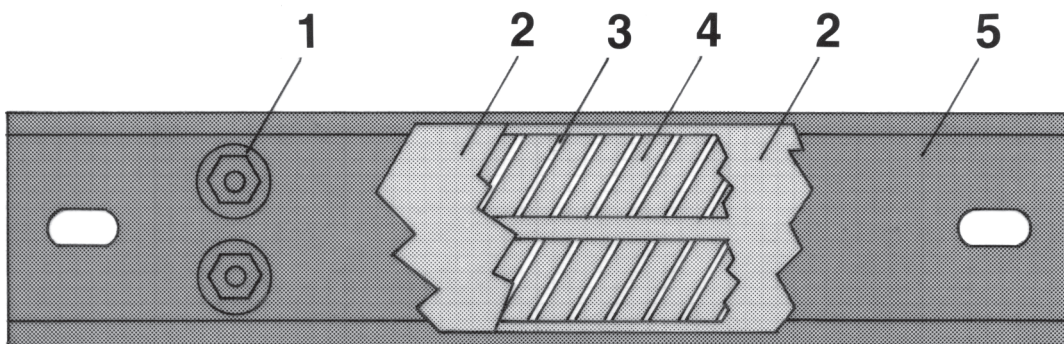
Dies, Cylinders, Kettles, Molds, Process Machines, Platens, Tanks, or other applications where controlled heating is needed.

Features

- Strip heaters may be used single or in groups to provide the required amount of heat.
- For maximum distribution, it is recommended that the strip heaters be clamped securely to the area to be heated to prevent distortion or unequal expansion.
- Made in U.S.A.

Construction

- 1 Post terminals.
- 2 Mica insulator.
- 3 Resistance Ribbon Wire.
- 4 Mica Element Support.
- 5 Rust Resistant Steel Sheath.



STRIP



Strip Heaters

Mica Insulated

▼ Manufactured Items ▼									
Diameter:	1"			1½"			2"		

Overall Length	Cat. No.	Min. Watts	Max. Watts	Cat. No.	Min. Watts	Max. Watts	Cat. No.	Min. Watts	Max. Watts
4"	ST1-4	50	100	ST1.5-4	50	150	ST2-4	50	195
6"	ST1-6	50	155	ST1.5-6	50	250	ST2-6	50	315
8"	ST1-8	50	230	ST1.5-8	50	340	ST2-8	50	435
12"	ST1-12	50	345	ST1.5-12	50	520	ST2-12	50	675
18"	ST1-18	50	520	ST1.5-18	50	790	ST2-18	50	1035
24"	ST1-24	50	700	ST1.5-24	50	1060	ST2-24	50	1395

Diameter:	2½"			3"			4"		
-----------	-----	--	--	----	--	--	----	--	--

Overall Length	Cat. No.	Min. Watts	Max. Watts	Cat. No.	Min. Watts	Max. Watts	Cat. No.	Min. Watts	Max. Watts
4"	ST2.5-4	50	215	ST3-4	50	230	ST4-4	50	300
6"	ST2.5-6	50	350	ST3-6	50	400	ST4-6	50	540
8"	ST2.5-8	50	515	ST3-8	50	590	ST4-8	50	780
12"	ST2.5-12	50	775	ST3-12	50	940	ST4-12	50	1250
18"	ST2.5-18	50	1250	ST3-18	50	1480	ST4-18	50	2000
24"	ST2.5-24	50	1700	ST3-24	50	2000	ST4-24	50	2700

• Standard termination is Type SSA. For units under 1½" wide, standard termination is Type FO.

STRIP

Wattages

The above chart is based on a watt density of 30 watts per square inch of surface.

The watt density should be varied, depending on operating temperatures in accordance with the following table.

Operating Temperature	Watts/square in.
300°F	40
400°F	30
500°F	21
600°F	12
700°-900°F (Max.)	10

To compute wattage, multiply length (less 1") x width x watts per square inch based on above table. On units with mounting holes, reduce by an additional 2" when computing wattage.

Voltage

To compute voltages are either 120V or 240V. Other voltages are available.

Tolerances

Width: ±.03"

Thickness: .187" normal

Length: Up to 24", ±¼"

24" to 48", ±⅛" Lengths over 48", consult factory.

Terminal Height: ⅜" nominal

Wattage tolerances are held to ± 5%, -10% at rated voltage.

Mounting Holes

Units are supplied without mounting holes. ½" x ⅝" mounting holes, one each end, may be supplied if specified. Hole center is ½" from end. Terminals are 1¼" from end on types SSA, SSB and SO on units with mounting holes. Other mounting hole sizes and locations available. Consult factory.

How To Order

Specify: quantity, width, length, wattage, voltage, terminal arrangement, mounting holes and cutouts if any. Detail cutouts, and mounting holes (if any) on dimensional drawing.

Example: ST1.5-10/300W120V/SSA/standard mounting holes.



Strip Heaters

Mica Insulated

Optional Terminations

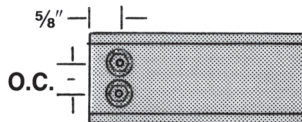
Stainless Steel Post

Up to 2¼" wide: 6-32 x 1" maximum, ⅝" on center.

2¼" wide and wider: 8-32 x 1" maximum, ¾" on center.

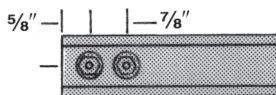
Type SSA: Parallel one end.

- Available on: 1½" and wider.



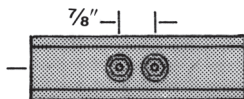
Type SSB: Tandem one end.

- Available on: 1½" and wider.



Type SC: Centered post terminals.

- Available on: 1½" and wider.



Type SO: Opposite ends.

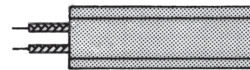
- Available on: 1" and wider.



High Temperature Insulated Leads

Type FS: Insulated leads at one end.

- Available on: 1½" and wider.



Type FO: Insulated leads at opposite ends.

- Available on: 1" and wider.

